

1:1 Flux Coupled Balun Transformer  
5 - 120 MHz

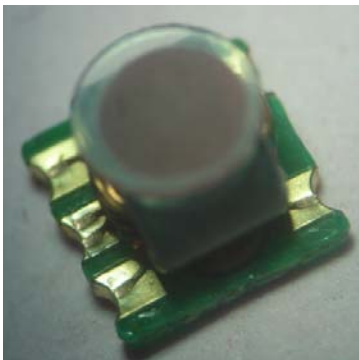
M/A-COM Products  
Part Status: Released Rev V1

## Features

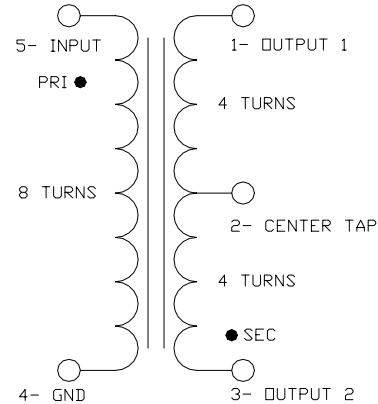
- Surface Mount
- 1:1 Impedance
- 75 Ohm
- RoHS Compliant and lead free

## Description

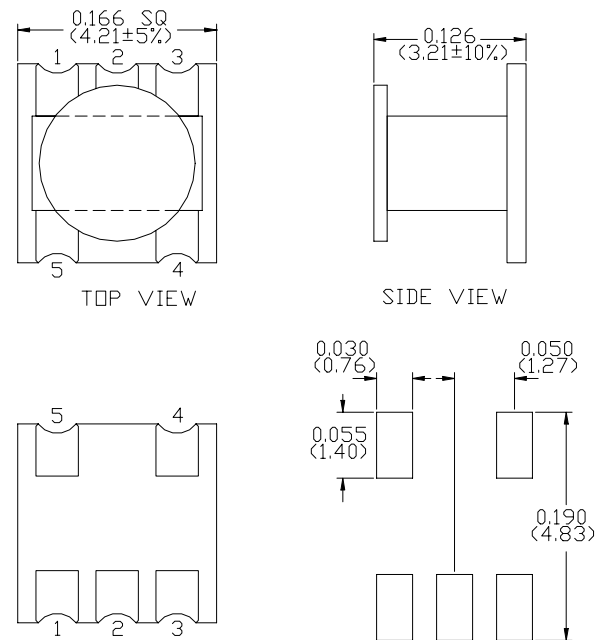
M/A-COM's MABA-009005-CF1A40 is a 1:1 RF flux coupled Transformer in a low cost surface mount package. Ideally suited for high volume CATV application.



## Schematic



## Case Style SM-164A



Dimensions are inches (millimeters) ±0.015 (0.38) unless otherwise specified.

## Pin Configuration

Function	Pin Number
Secondary (Output 1)	1
Secondary Centre Tap	2
Secondary Dot (Output 2)	3
Primary (Ground)	4
Primary Dot (Input)	5

## Ordering Information

Part Number	Package
MABA-009005-CF1A40	2000 pieces per reel
MABA-009005-CF1ATB	Customer test board

**ADVANCED:** Data Sheets contain information regarding a product M/A-COM is considering for development. Performance is based on target specifications, simulated results, and/or prototype measurements. Commitment to develop is not guaranteed.

**PRELIMINARY:** Data Sheets contain information regarding a product M/A-COM has under development. Performance is based on engineering tests. Specifications are typical. Mechanical outline has been fixed. Engineering samples and/or test data may be available. Commitment to produce in volume is not guaranteed.

- **North America** Tel: 800.366.2266 / Fax: 978.366.2266
- **Europe** Tel: 44.1908.574.200 / Fax: 44.1908.574.300
- **Asia/Pacific** Tel: 81.44.844.8296 / Fax: 81.44.844.8298

Visit [www.macom.com](http://www.macom.com) for additional data sheets and product information.

M/A-COM Inc. and its affiliates reserve the right to make changes to the product(s) or information contained herein without notice.

1:1 Flux Coupled Balun Transformer  
5 - 120 MHz

M/A-COM Products  
Part Status: Released Rev V1

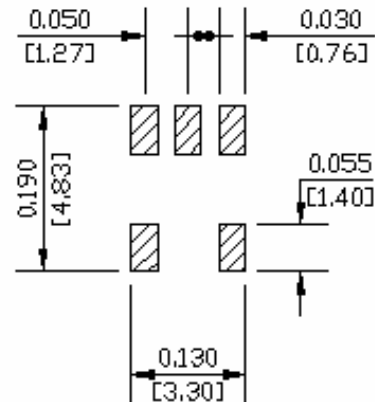
## Electrical Specifications: $T_A = 25^\circ\text{C}$ , 0dBm, $Z_0 = 75\Omega$

Parameter	Test Conditions	Units	Min.	Typ.	Max.
Frequency Range	5 – 120 MHz				
Insertion Loss 1 (Pin 5 to Pin 1)	5 – 80 MHz	dB	–	0.1	0.4
	80 – 120 MHz	dB	–	0.3	0.5
Insertion Loss 2 (Pin 5 to Pin 3)	5 – 80 MHz	dB	–	0.2	0.4
	80 – 120 MHz	dB	–	0.4	0.6
Amplitude Un-Balance	5 – 80 MHz	dB	–	$\pm 0.06$	$\pm 0.2$
	80 – 120 MHz	dB	–	$\pm 0.18$	$\pm 0.3$
Phase Un-Balance	5 – 65 MHz	$^\circ$	–	$\pm 0.05$	$\pm 1.5$
	65 – 120 MHz	$^\circ$	–	$\pm 0.10$	$\pm 3.0$
Input Return Loss (Pin 5)	5 – 70 MHz	dB	19	25	–
	70 – 120 MHz	dB	14	19	–

## Absolute Maximum Ratings

Parameter	Absolute Maximum
RF Power	250mW
DC Current	30mA
Operating Temperature	-40°C to +85°C
Storage Temperature	-40°C to +85°C

## Recommended PCB Configuration

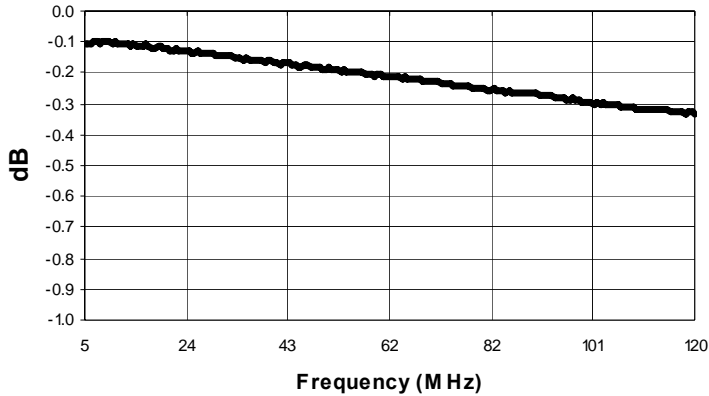


1:1 Flux Coupled Balun Transformer  
5 - 120 MHz

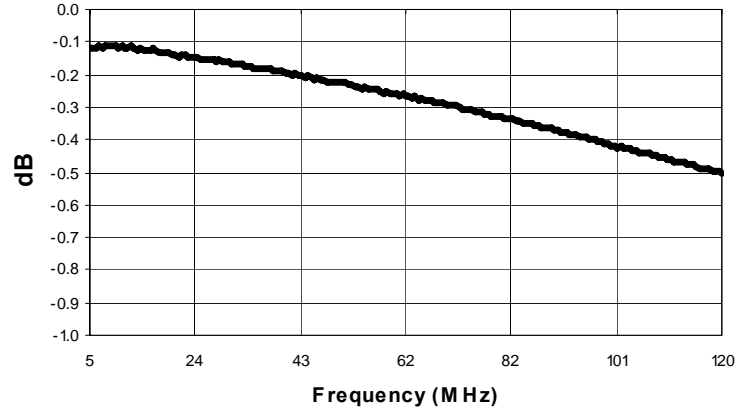
M/A-COM Products  
Part Status: Released Rev V1

Typical Performance:  $T_A = 25^\circ\text{C}$ , 0dBm,  $Z_0 = 75\Omega$

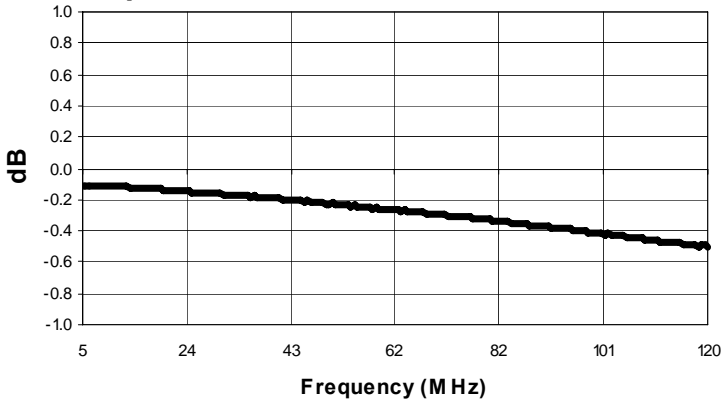
**Insertion Loss 1 (Pin 5 - Pin 1)**



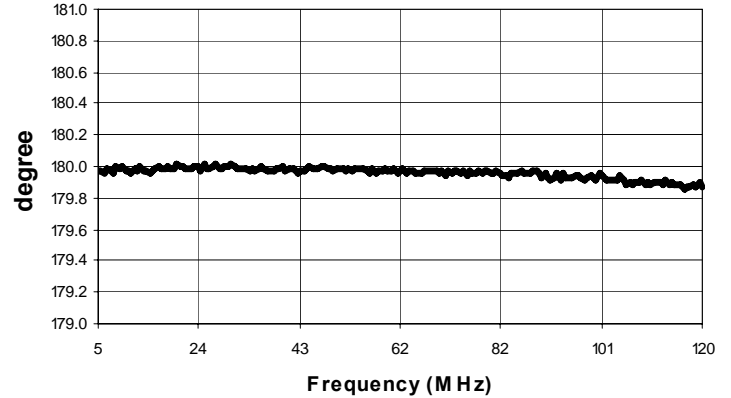
**Insertion Loss 2 (Pin 5 - Pin 3)**



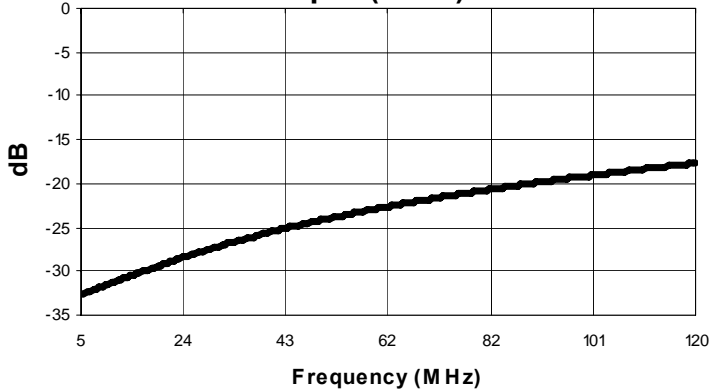
**Amplitude Balance**



**Phase Balance**



**Return Loss: Input (Pin 5)**



**ADVANCED:** Data Sheets contain information regarding a product M/A-COM is considering for development. Performance is based on target specifications, simulated results, and/or prototype measurements. Commitment to develop is not guaranteed.

**PRELIMINARY:** Data Sheets contain information regarding a product M/A-COM has under development. Performance is based on engineering tests. Specifications are typical. Mechanical outline has been fixed. Engineering samples and/or test data may be available. Commitment to produce in volume is not guaranteed.

- **North America** Tel: 800.366.2266 / Fax: 978.366.2266
- **Europe** Tel: 44.1908.574.200 / Fax: 44.1908.574.300
- **Asia/Pacific** Tel: 81.44.844.8296 / Fax: 81.44.844.8298

Visit [www.macom.com](http://www.macom.com) for additional data sheets and product information.

M/A-COM Inc. and its affiliates reserve the right to make changes to the product(s) or information contained herein without notice.